

ELECTRIC REACH TRUCK

Heavy Duty Warehouse Equipment

TYPE

NQ20-D



RATED
CAPACITY | **2T**

TYPE

NQ20-D

Offer a variety of advantages such as zero emissions, reliable performance, high maneuverability, advanced safety features, low operational costs, and operator comfort. These features make it the top choice for efficient.



Adjustable cushion sheet



Adjustable cushion sheet



The battery can be removed with the mast, and with side-way structure to facilitate the maintenance or replacement of the battery.

ADVANTAGES

HIGH EFFICIENCY & FLEXIBILITY

- ▶ One-key start + password login , more convenient to start the truck .
- ▶ Electric power steering system (EPS).
- ▶ 180/360 degree steering mode.
- ▶ AC motor provides high driving speed (laden/unladen): 10.5/11 km per hour.
- ▶ 4-stage driving speed selection.
- ▶ Intelligently optimized turning speed control system: The system analyzes the tire angle, driving and steering direction, then automatically adjusts the speed to achieve maximum safety performance.
- ▶ Fork side camera system provides better view, avoids the problem of being blocked by the pallets while stacking.
- ▶ Luxurious cushion seat equipped with OPS function.
- ▶ Standard integral side shifter.

SAFETY AND STABILITY

- ▶ The mast adopts an offset design, optimizes the operator views.
- ▶ Height limit function, high speed limit function, turning speed limit function.
- ▶ The mast moving speed will be automatically reduce while reaching the end position.
- ▶ FULL AC control system with CAN communication technology.
- ▶ The service brake is operated by hydraulic brake and regenerative brake at the same time, with short braking distance.
- ▶ Automatic electromagnetic brake after parking.
- ▶ Seat with power-off switch while operator leave the seat.
- ▶ Standard: warning lights, headlights, rear view mirrors.
- ▶ Option: ACS function (when the mast is lifted and moved forward, it can reduce the truck vibration).

SERVICE ABILITY

- ▶ One-piece upper cover with open design, convenient to maintain the controller, lifting pumps, hydraulic devices, drive motors and brake systems, etc.
- ▶ Sideway battery can be moved out with mast together, convenient to maintain/replace the battery.
- ▶ All electric parts are integrated modular design, easy for installation/maintenance.

THE CONSOLE HAS BEEN FULLY OPTIMIZED & UPGRADED

- ▶ The thumb switch imported from Germany, tilts forward fit to ergonomic design, convenient to operate; the thumb can conveniently control the front/rear button and the horn.
- ▶ The arm rest is designed with poly foam cushion, more comfortable for long-term operation.
- ▶ Switch button is integrated (to control LED headlights, fans, red light, etc.), with extended functions for easy operation.
- ▶ The steering wheel is adjustable front and rear, equipped with steering damping.
- ▶ The console is designed with multiple storage.
- ▶ Large-screen color instrument, real-time display of vehicle speed, working mode, working time, battery power, wheel angle and faults and other information (Option for mechanical control).
- ▶ With password login interface. (For magnetic control)
- ▶ All function can be operated with touch screen control, such as forward/backward switch, headlight control, horn control, 180/360 degree by one-key switch of steering mode, etc.
- ▶ It can communicate with camera system and display the image directly on the instrument.
- ▶ It can communicate with the vehicle weighing system and display the weight of the goods on the instrument in real time (Option).
- ▶ It can communicate with the vehicle height positioning system, display the height of the forks on the instrument in real time, and carry out the operation of fixed height/fixed floor option (Option).

OPTIONS



CAMERA SYSTEM



QUICK LIFTING SYSTEM



WEIGHING SYSTEM



BLUE LIGHT



TOUCH SCREEN INSTRUMENT



HIGH CAPACITY BATTERY



LITHIUM BATTERY

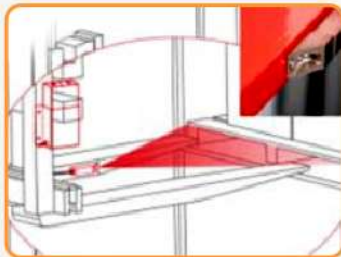


DOCUMENTS HOLDER



WIDE VIEW MAST

The mast system and roof guard adopt new structure, optimize operators' view.



FORK CAMERA

The camera system is equipped on the fork, which provides a better view during fork moving, avoid the problems that view maybe blocked by the pallet feet while stacking. The camera is made of stainless steel, IP protection grade is IP69, the shockproof grade is 10G. Not afraid of bump.



ONE PIECE COVER

The cover can be opened to ensure the maintenance easy and fast.



FULLY UPGRADED CONSOLE

Large-screen instrument and finger-tip sticks, adopt Germany ELOBAU, with ergonomics design, can display battery power, wheel angle, faults and other information.



ASC FORKLIFT ACTIVE STABILIZATION SYSTEM

When the mast moves forward and backward, the service brake will be locked automatically, which can ensure truck does not move forward and backward, improve the stability of the truck.



HEIGHT POSITIONING SYSTEM

Adopt absolute wire encoder. Start counting from 0.

TECHNICAL PARAMETERS

Manufacturer's type designation			NQ20D (lift height ≤9.5meters)	NQ20D (9.5 meters, <lift height ≤12.5meters)	
General Information	1.3	Drive: electric (battery type, mains, ...), diesel, petrol, fuel gas.	Electric	Electric	
	1.4	Operator type: hand, pedestrian, standing, seated, order-picker	Seated	Seated	
	1.5	Rated capacity/rated load	Q (Kg)	2000	2000
	1.6	Load centre distance	C (mm)	600	600
	1.8	Load distance, centre of drive axle to fork	X (mm)	377	377
	1.9	Wheelbase	Y (mm)	1510	1510
Weight	2.1	Service weight	kg	3605	4750
	2.3	Axle loading, unladen front/rear	kg	2245/1360	2958/1792
	2.4	Axle loading, fork advanced, laden front/rear	kg	727/4878	875/5875
	2.5	Axle loading, fork retracted, laden front/rear	kg	2030/3575	2444/4306
Tyres	3.1	Tyres: Solid rubber, super elastic, pneumatic, polyurethane		Polyurethane	Polyurethane
	3.2	Tyre size, front	mm	343x140	343x140
	3.3	Tyre size, rear	mm	0340x114	0340x114
	3.5	Wheels, number front/rear (X=driven wheels)		1x/2	1x/2
	3.7	Tread, rear	B11 (mm)	1146	1196
Dimensions	4.1	Tilt of mast/fork carriage forward/backward	a/b (°)	2/4	2/4
	4.2	Height, mast lowered riven wheels)	H1 (mm)	2240/2490/2740/2340/2740/ 3190/3390/3590/3890	4190/4490/4790/4956
	4.3	Free lift	H2 (mm)	0/0/0/1400/1800/2250/ 2450/2650/2950	3250/3550/3850/4016
			H2 (*) (mm)	0/0/0/1736/2136/2536/ 2736/2936/3236	3600/3900/4200/4366
	4.4	Max. lift height	H3 (mm)	3000/3500/4000/5000/6200/ 7400/8000/8600/9500	10200/11100/12000/12500
	4.5	Height, mast extended	H4 (mm)	3940/4440/4940/5940/7140/ 8340/8940/9540/10440	11140/12040/12940/13440
	4.7	Height of overhead guard (cabin)	H6 (mm)	2210	2210
	4.19	Overall length	L1 (mm)	2466	2466
	4.20	Length to face of forks	L2 (mm)	1396	1396
	4.21	Overall width	b1/b2 (mm)	1270/1260	1345/1260
	4.22	Fork dimensions DIN ISO 2331	s/e/ (mm)	40/120/1070	40/120/1070
	4.23	Fork carriage ISO 2328, class/type A, B		2B	2B

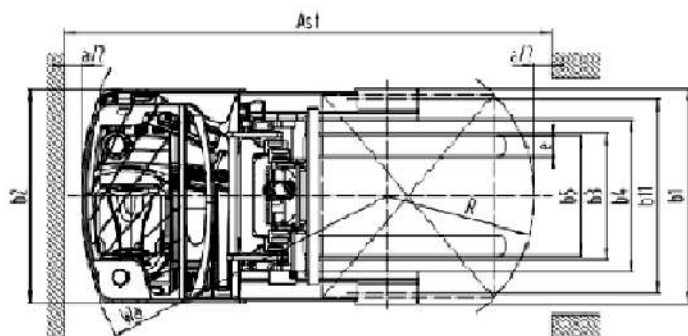
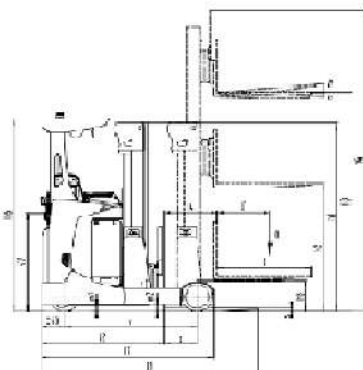
	4.24	Fork-carriage width	b3 (mm)	928	928
	4.25	Fork spread	b5 (mm)	708	708
	4.26	Distance between wheel arms/loading surfaces	B4 (mm)	900	900
	4.28	Reach distance	l4 (mm)	600	600
	4.31	Ground clearance, laden, below mast	m1 (mm)	80	80
	4.34.1	Aisle width for pallets 1000 x 1200 crossways	Ast (mm)	2849	2849
	4.34.2	Aisle width for pallets 800 x 1200 lengthways	Ast (mm)	2899	2899
	4.35	Turning radius	Wa (mm)	1783	1783
	4.37	Length across wheel arms	l7 (mm)	1960	1960
Performance Data	5.1	Travel speed, laden/unladen	Km/h	10.5/11	10.5/11
	5.2	Lift speed, laden/unladen	m/s	0.29/0.45	0.29/0.45
	5.3	Lowering speed, laden/unladen	m/s	0.5/0.5	0.5/0.5
	5.4	Reaching speed, laden/unladen	m/s	0.12/0.12	0.12/0.12
	5.8	Max. gradeability, laden/unladen	%	10/10	10/10
	5.10	Service brake		Electromagnetic	Electromagnetic
Motors	6.1	Drive motor rating S2 60 min	kW	6.5(AC)	6.5(AC)
	6.2	Lift motor rating at S3 15%	kW	8.2(AC)	8.2(AC)
	6.4	Battery voltage/nominal capacity K ₅	(V)/(Ah) or kWh	48/500	48/500
	6.5	Battery weight	Kg	870	870
Additional Data	10.7	Sound pressure level at the driver's seat	dB (A)	65	65

Option:

- 1) Big power motor with quick lift
- 2) Acid Battery 48V/600AH, 48V/800AH, 48V/930AH

(*) Means without backrest

- 1) Lithium battery 48V/400AH, 48V/450AH, 48V/600AH, 48V/800AH



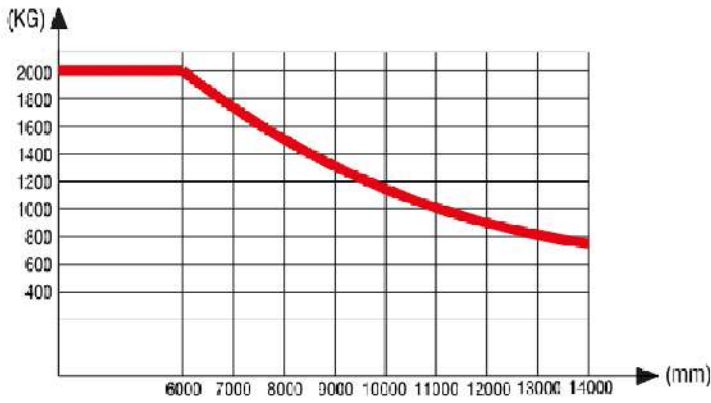
MAST TABLE

Max Lifting Height	Height, mast lowered	Free lifting (with overhead guard)	Height, mast extended
h3 (mm)	H1 (mm)	0	h4 (mm)
3000	2240	0	3940
3500	2490	0	4440
4000	2740	h2(mm)	4940
5000	2340	1400	5940
6200	2740	1800	7140
7400	3190	2250	8340
8000	3390	2450	8940
8600	3590	2650	9540
9500	3890	2950	10440
10200	4190	3250	11140
11100	4490	3550	12040
12000	4790	3850	12940
12500	4956	4016	13440
13000	5226	4286	13940
14000	5556	4616	14940

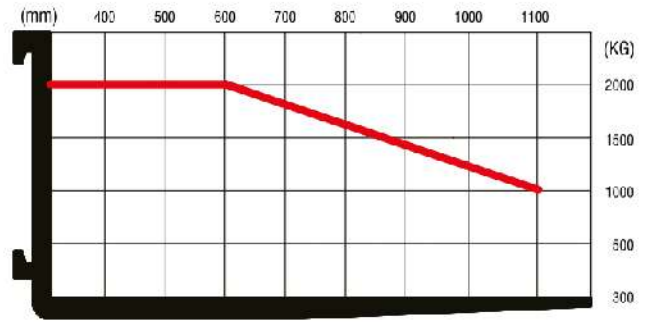
WITH SIDE SHIFT	NQ20D						
		2-stage mast	3-stage mast	3-stage mast	2-stage mast	3-stage mast	3-stage mast
Mast stages		2-stage mast	3-stage mast	3-stage mast	2-stage mast	3-stage mast	3-stage mast
Mast height	h3	h3≤4m	5m≤h3≤9.5m	10.2m≤h3≤14m	h3≤4m	5m≤h3≤9.5m	10.2m≤h3≤14m
Battery Capacity			≤500Ah			600Ah	
Wheel base	y		1510			1510	
Overall length (minimum)	l1		2466			2542	
Length to face of forks	l2		1396			1472	
Reach distance	Ast		600			524	
Aisle width for pallets 1000x1200 crossways	Ast		2849			2925	
Aisle width for pallets 800x1200 lengthways	Ast		2899			2975	
Aisle width for pallets 1000x1200 lengthways	Ast		2950			3026	
Aisle width for pallets 800x1200 crossways	Ast		2750			2796	
Turning radius (minimum)	Wa		1783			1783	
Length across wheel arms (exclusive fork)	l7		1960			1960	
Tyre size, loading wheels (diameter x width)	/		Φ340x114			Φ340x114	
Overall width	b1/b2	1270/1260		1345/1260	1270/1260		1345/1260

WITH SIDE SHIFT		NQ20D					
Mast stages		2-stage mast	3-stage mast	3-stage mast	2-stage mast	3-stage mast	3-stage mast
Mast height	h3	h3≤4m	5m≤h3≤9.5m	10.2m≤h3≤14m	h3≤4m	5m≤h3≤9.5m	10.2m≤h3≤14m
Battery Capacity			800Ah			930Ah	
Wheel base	y		1590			1590	
Overall length (minimum)	l1		2622			2737	
Length to face of forks	l2		1552			1667	
Reach distance	Ast		524			409	
Aisle width for pallets 1000x1200 crossways	Ast		3005			3120	
Aisle width for pallets 800x1200 lengthways	Ast		3055			3170	
Aisle width for pallets 1000x1200 lengthways	Ast		3106			3221	
Aisle width for pallets 800x1200 crossways	Ast		2876			2991	
Turning radius (minimum)	Wa		1863			1863	
Length across wheel arms (exclusive fork)	l7		2040			2040	
Tyre size, loading wheels (diameter x width)	/		Φ340x114			Φ340x114	
Overall width	b1/b2	1270/1260		1345/1260	1270/1260		1345/1260

LOAD CAPACITY CHART						
	LC=600mm	LC=700mm	LC=800mm	LC=900mm	LC=1000mm	
Lift height (mm)	Residual Capacity (kg)					
<6000	2000	1780	1600	1460	1340	
6200	1800	1600	1440	1310	1210	
7400	1600	1420	1280	1170	1070	
8000	1500	1330	1200	1090	1000	
8600	1400	1240	1120	1020	940	
9500	1200	1070	960	870	800	
10200	1150	1020	920	840	770	
10750	1050	930	840	760	700	
11100	1000	890	800	730	670	
12000	900	800	720	650	600	
12500	850	750	680	620	570	
13000	800	710	640	580	530	
14000	750	660	600	540	500	



LOAD CAPACITY CHART



LOAD CENTER CHART



**WE MAKE IT
STRONG!**

INDOTARA®

PT. INDOTARA PERSADA

Our Marketing Office and After Sales Service Center

Head Office

50/F, Menara BCA Grand Indonesia
Jl. M.H. Thamrin No.1
Jakarta Pusat 10310
021 - 5011 2224
dhe@indotara.id



Semarang Office

Wisma HSBC Lt. 6 Suite 609
Jl. Gajah Mada No.135
Semarang, Jawa Tengah 50134
024 - 40 300 889
smg.dhe@indotara.id



Marketing Office

APL Tower 6th Floor No. 6 Central Park,
Jl. Letjen S. Parman Kav 28,
Jakarta Barat - 11440
021 - 5011 2224
dhe@indotara.id



Medan Office

Sutomo Tower Lantai 5H
Jl. Sutomo Ujung No.28,
Kota Medan, Sumatera Utara 20235
061 - 50 300 592
mdn.dhe@indotara.id



Graha Indotara

Millenium Industrial Estate
Jl. Millenium 22 Blok R3 No. 1
Cikupa, Tangerang - Banten 15720
021 - 5011 2224
dhe@indotara.id



Makassar Office

Fajar Graha Pena Lt. 5
Jl. Urip Sumoharjo No. 20,
Makassar - South Sulawesi 90234
021 - 5011 2224
mks.dhe@indotara.id



Bandung Office

Wisma HSBC Lt. 6 Suite B
Jl. Asia Afrika No. 116
Bandung, Jawa Barat 40112
021 - 5011 2224
bdg.dhe@indotara.id



Balikpapan Office

Panin Tower Lt. 8 - Grand Sudirman
Jl. Jendral Sudirman No.7 Klandasan Ilir,
Balikpapan Kota, Kalimantan Timur 76114
021 - 5011 2224
bpp.dhe@indotara.id



Surabaya Office

Japfa Indoland Center, Tower I Lt. 10/1008
Jl. Jendral Basuki Rahmat 129-137
Surabaya 60271
031 - 3360 1485
sby.dhe@indotara.id



Bali Office

Benoa Square Lt. 2
Jl. Bypass Ngurah Rai No. 21 A Kedonganan,
Kuta Badung - Bali Indonesia 80361
021 - 5011 2224
bali.dhe@indotara.id



Yogyakarta Office

Hartono Mall Yogyakarta Lt. 3
Kaliwaru, Condongcatur,
Sleman, Yogyakarta 55281
021 - 5011 2224
yog.dhe@indotara.id



Singapore Office

Marina Bay Financial Centre Tower 3
17F, 12 Marina Boulevard
Singapore - 018982
021 - 5011 2224
sing.dhe@indotara.id

